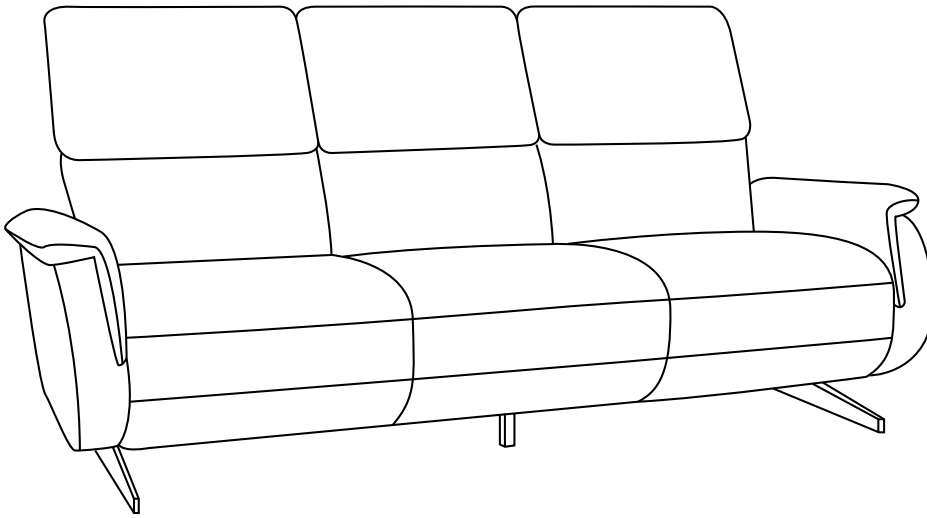


3 Seater Sofa

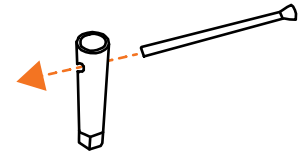
The components are heavy, assembly should be performed by two people.



A	X 1	
B	X 10	
C	X 10	
D	X 1	
E	X 2	

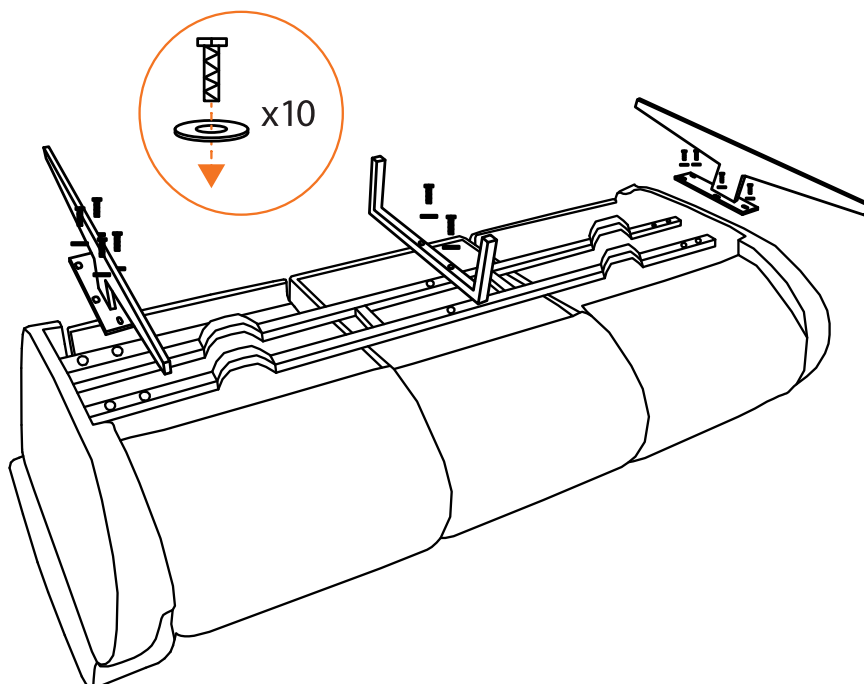
Step 1.

Remove packaging and set aside. On the underside of the sofa there are packages containing the accessories for completing assembly. Take the wrench bar and insert it into the wrench socket per diagram.



Step 2.

Take the sled base legs and affix to the ends of the seat base using a washer and bolt. Ensure the front of the legs are orientated with the front of the sofa (the front end is labelled). Next, do the same for the center support leg.

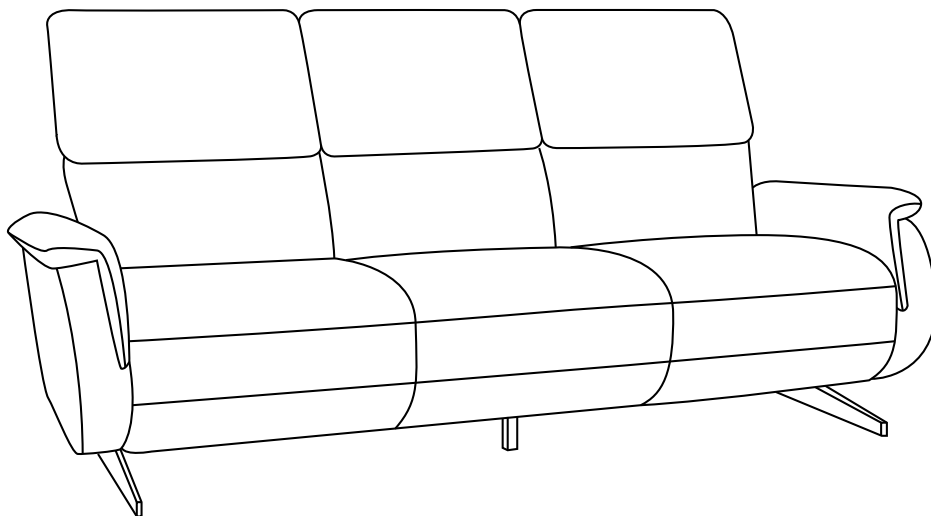
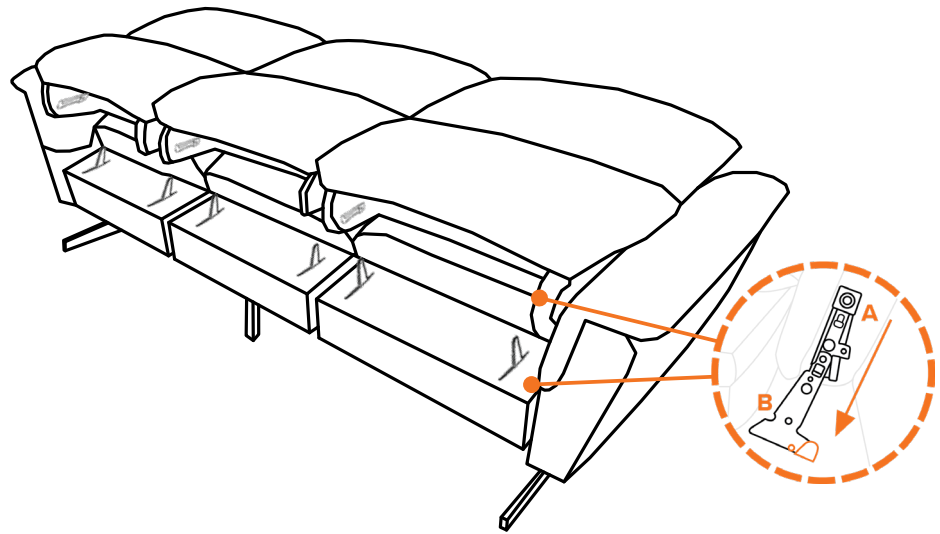


Step 3.

Carefully rotate the sofa base upright using two people to lift. Identify the left hand side, center and right hand side seat backs and affix them to the seat base using the metal posts per the below diagram. Press both sides of the seat backs downward until a click is heard.

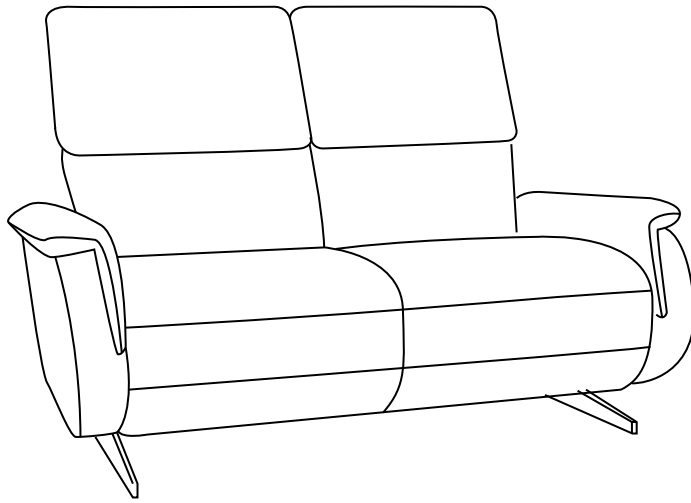


Scan QR code to
view a video of this step



2 Seater Sofa

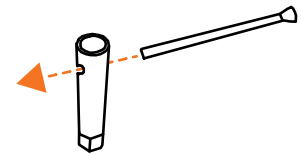
The components are heavy, assembly should be performed by two people.



A	X 1	
B	X 10	
C	X 10	
D	X 1	
E	X 2	

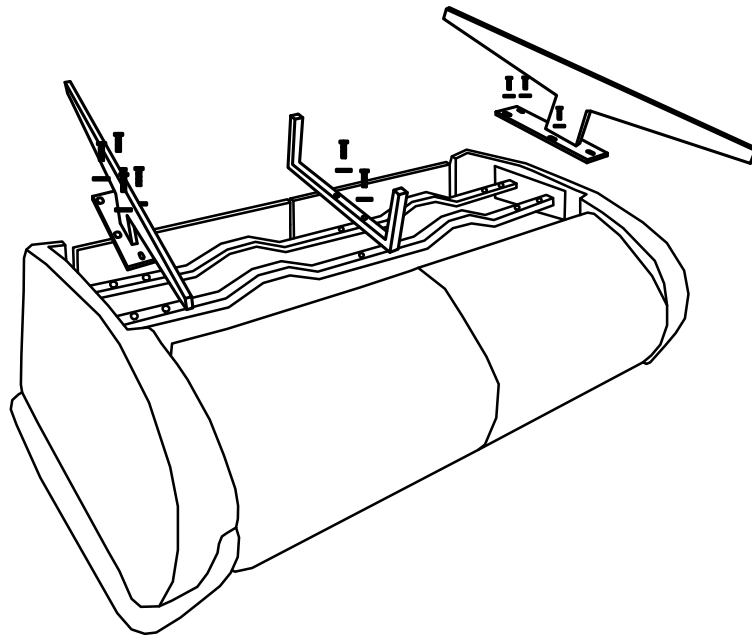
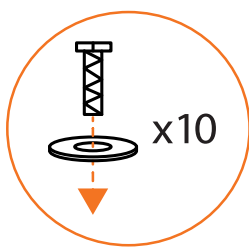
Step 1.

Remove packaging and set aside. On the underside of the sofa there are packages containing the accessories for completing assembly. Take the wrench bar and insert it into the wrench socket per diagram.



Step 2.

Take the sled base legs and affix to the ends of the seat base using a washer and bolt. Ensure the front of the legs are orientated with the front of the sofa (the front end is labelled). Next, do the same for the center support leg.

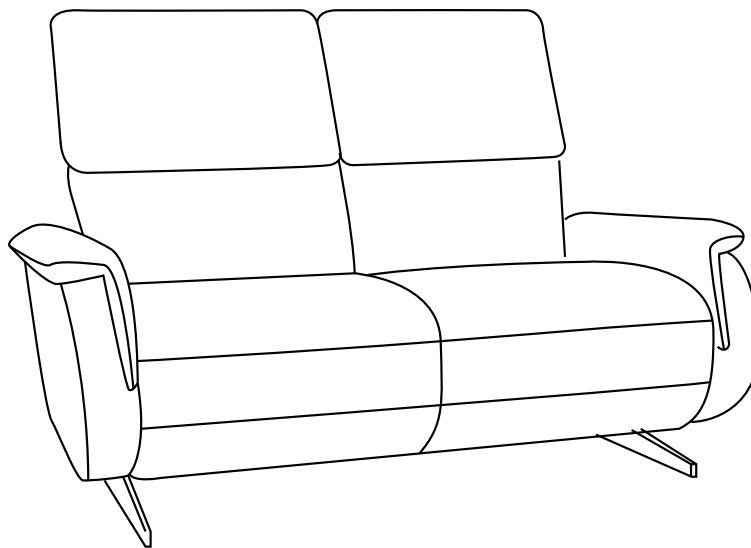
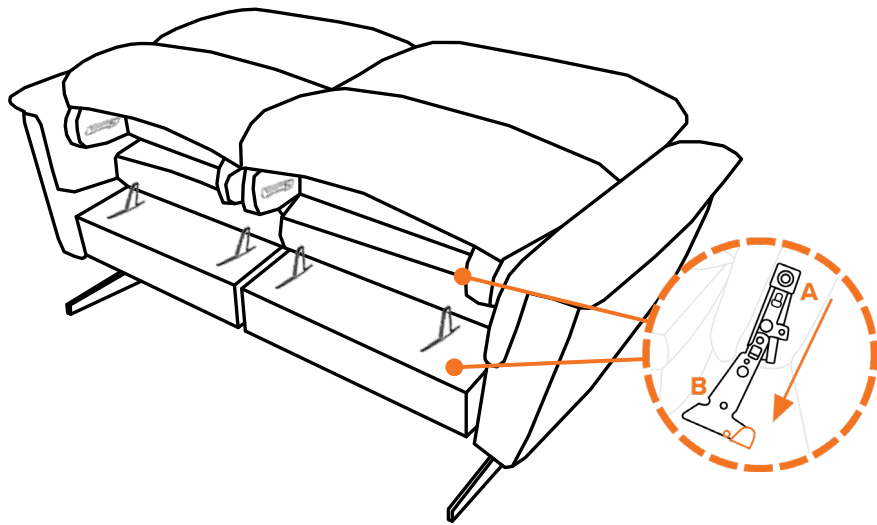


Step 3.

Carefully rotate the sofa base upright using two people to lift. Identify the left hand and right hand side seat backs and affix them to the seat base using the metal posts per the below diagram. Press both sides of the seat backs downward until a click is heard.

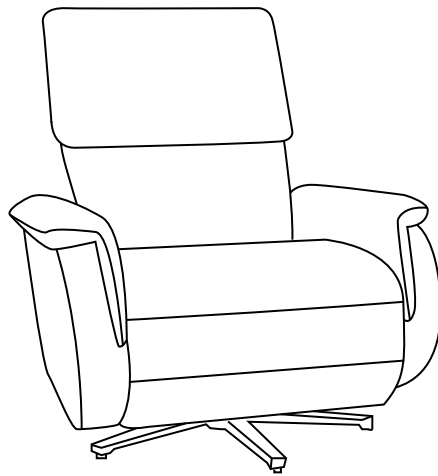




Scan QR code to view a video of this step



Swivel Chair

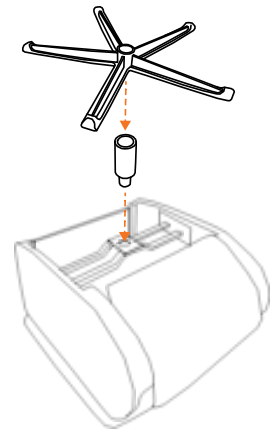
The components are heavy, assembly should be performed by two people.



A	X 1	
B	X 1	

Step 1.

Remove packaging and set aside. On the underside of the sofa there are packages containing the accessories for completing assembly. Take the spindle (Item B) and insert into the hole in the underside of the seat base. Fit the legs (Item A) onto the spindle and turn until fastened.



Step 2.

Carefully rotate the seat base upright using two people to lift. Affix the seat back to the seat base using the metal posts per the below diagram. Press both sides of the seat back downward until a click is heard.



Scan QR code to view a video of this step

